



**SUBMITTAL DATA – WALL-MOUNTED
LI018CO-160P433-T - LI018CI-160P433-T
SINGLE ZONE MINI-SPLIT COOLING ONLY**

Job: _____
Location: _____
Schedule No.: _____
System Designation: _____

Engineer: _____
Architect: _____
Date: _____

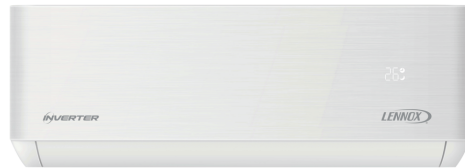
FEATURES

**Outdoor Unit: LI018CO-160P433-T
Outdoor Unit Cat Number: 23U04**

**Indoor Unit: LI018CI-160P433-T
Indoor Unit Cat Number: 23U03**



- 3 Meter Copper Pipe Included
- Gold Fin



- Auto Restart
- Emergency Control
- Louver position memory
- Hidden LED Display
- I Feel
- Easy Cleaning Filter On The Top
- Gentle Cool Wind
- Larger louver
- Easy cleaning air outlet
- Smart Wind Direction

PIPING

Line Set and Elevation Guidelines

Maximum Line Set Length ft. (m)	65.6 ft. (20 m)
Maximum Elevation - Outdoor Unit Below/Above Indoor Unit ft. (m)	16.4 ft. (5 m)
Liquid Line Set Diameter (in.)	1/4"
Gas Line Set Diameter (in.)	3/8"

PRODUCT WARRANTY

5 Year Limited Warranty*

OPTIONAL ACCESORIES



NOTE – Due to Lennox’ ongoing commitment to quality, Specifications, Ratings, and Dimensions are subject to change without notice and without incurring liability. Improper installation, adjustment, alteration, service or maintenance can cause property damage or personal injury. Installation and service must be performed by a qualified installer and servicing agency



**SUBMITTAL DATA – WALL-MOUNTED
LI018CO-160P433-T - LI018CI-160P433-T
SINGLE ZONE MINI-SPLIT COOLING ONLY**

OUTDOOR SPECIFICATIONS

PERFORMANCE

Cooling Capacity (Btu/h)	17,000
EER(W/W)	2.70
SEER(BTUH/W)	17
Heating Capacity (Btu/h)	/
COP	/

Outdoor Fan Total Air Volume (CFM)	1530
Ambient Temperature Operating Range	
Cooling	64°F(18°C) - 109°F(43°C)
Heating	/

ELECTRICAL DATA

Power Supply (V/Hz/ϕ)	208-230/60/1
Minimum Circuit Ampacity (A)	9
Maximum Overcurrent Protection (A)	25
Outdoor Fan Motor RLA (A)	0.15
Compressor RLA (A)	6.8
No. of Compressors	1

GENERAL DATA

Connection Ratio (%)	100%
Max. # of Indoor Units	1
Sound Data (dBA) - Cooling/Heating	52
Refrigerant type	R-410A
Factory refrigerant charge	1.50 lbs. 23.99 oz.

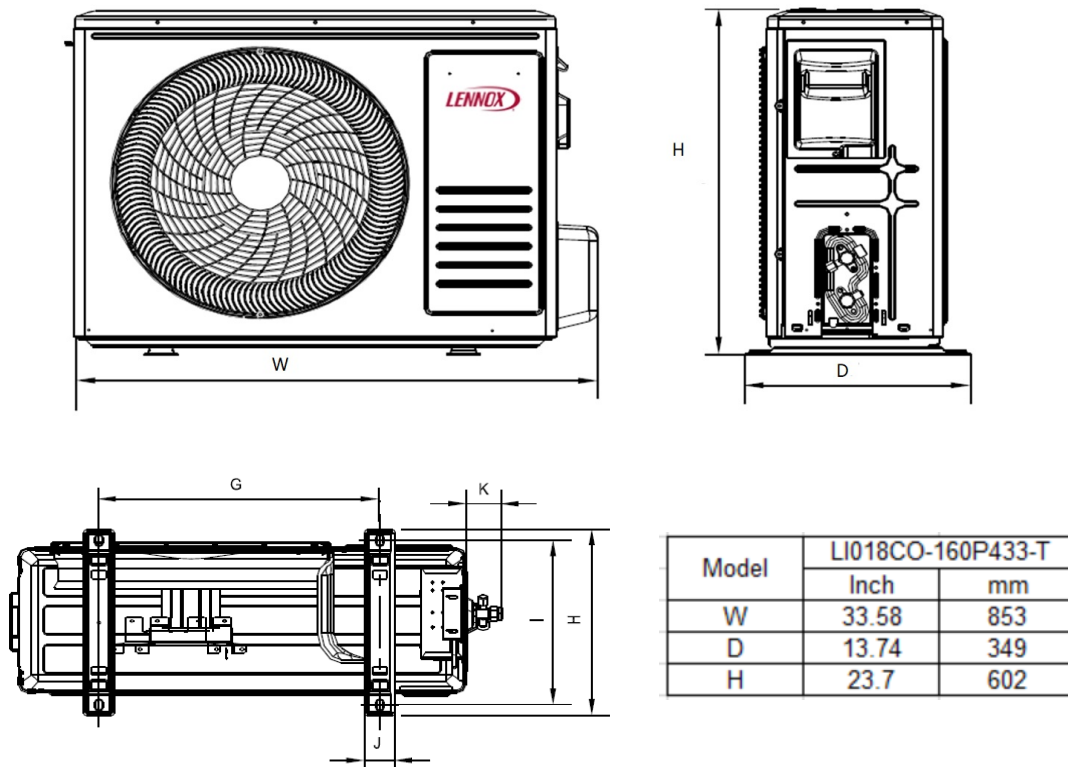
DIMENSIONS

Unit Dimensions (in)	Height	24
	Width	34
	Depth	14
Shipping Weight (lb)		66
Net Weight (lb)		57

NOTES

- Cooling and Heating Capacity data is rated at the following conditions:
Cooling: 80°FDB / 67°FWB Indoor, 95°FDB/75°FWB Outdoor
Heating: 68°FDB / 59°FWB Indoor. 44.6°FDB/ 42.8°FWB

OUTDOOR DIMENSIONAL DRAWINGS - INCHES (MM)



NOTE – Due to Lennox' ongoing commitment to quality, Specifications, Ratings, and Dimensions are subject to change without notice and without incurring liability. Improper installation, adjustment, alteration, service or maintenance can cause property damage or personal injury. Installation and service must be performed by a qualified installer and servicing agency



**SUBMITTAL DATA – WALL-MOUNTED
LI018CO-160P433-T - LI018CI-160P433-T
SINGLE ZONE MINI-SPLIT COOLING ONLY**

INDOOR SPECIFICATIONS

PERFORMANCE

Airflow (CFM)	Turbo	/
	High	559
	Medium	506
	Low	453
External Static Pressure (in. w.g.)		-
Sound Pressure (dBA)	Turbo	/
	High	43
	Medium	38
	Low	33

ELECTRICAL DATA

Power Supply (V/Hz/ϕ)	208-230/60/1
Rated load amps (RLA)	0.3
Power Output (W)	25

DIMENSIONS

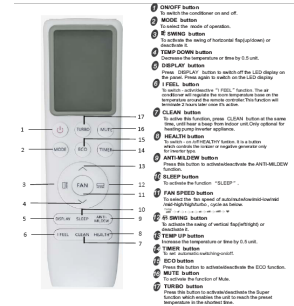
Unit Dimensions (in)	Height	8
	Width	36
	Depth	12
Unit Net/Shipping Weight (lb)		23/30

WIRELESS REMOTE CONTROLLER SPECIFICATIONS

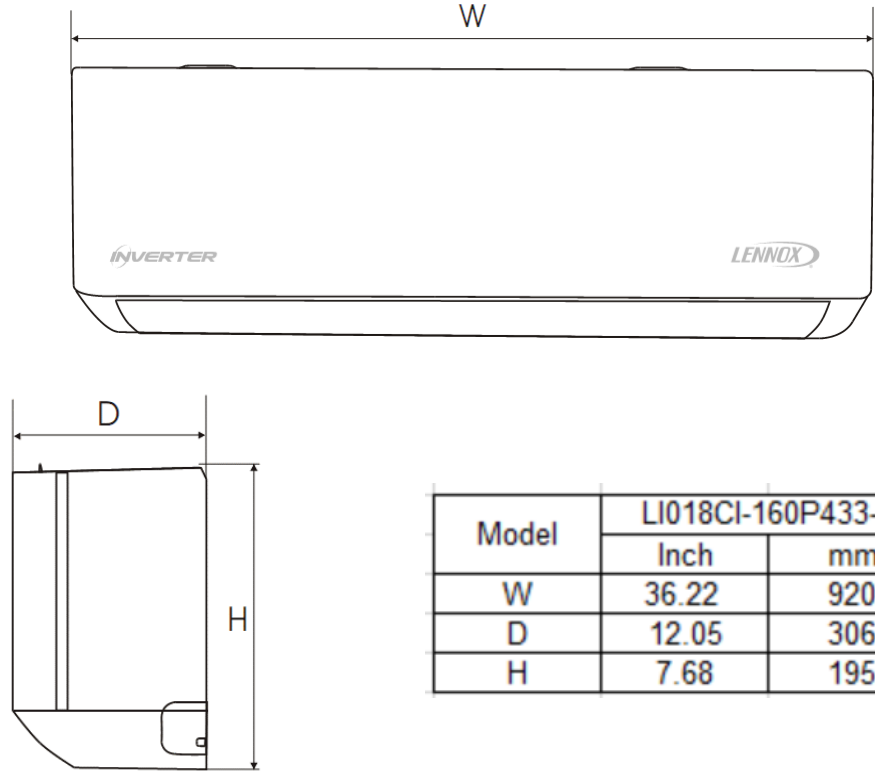
23X58

Power Supply	2 AAA Batteries (Included)
Setpoint Range	61°F(16°C) - 88°F(31°C)
Effective Receiving Range	20 ft.(6m)

DISPLAY



INDOOR DIMENSIONAL DRAWINGS - INCHES (MM)



NOTE – Due to Lennox' ongoing commitment to quality, Specifications, Ratings, and Dimensions are subject to change without notice and without incurring liability. Improper installation, adjustment, alteration, service or maintenance can cause property damage or personal injury. Installation and service must be performed by a qualified installer and servicing agency