



**SUBMITTAL DATA – WALL-MOUNTED
LM018CO-130P433-E - LM018CI-130P433-E
SINGLE ZONE MINI-SPLIT COOLING ONLY**

Job: _____
Location: _____
Schedule No.: _____
System Designation: _____

Engineer: _____
Architect: _____
Date: _____

FEATURES

Outdoor Unit: LM018CO-130P433-E
Outdoor Unit Cat Number: 22F57

Indoor Unit: LM018CI-130P433-E
Indoor Unit Cat Number: 22F56



- 3 Meter Copper Pipe Included
- Gold Fin



- Auto Restart
- Wireless Remote
- Emergency Control
- Louver position memory
- Hidden LED Display
- I Feel

PIPING

Line Set and Elevation Guidelines	
Maximum Line Set Length ft. (m)	49.2 ft. (15 m)
Maximum Elevation - Outdoor Unit Below/Above Indoor Unit ft. (m)	16.4 ft. (5 m)
Liquid Line Set Diameter (in.)	1/4"
Gas Line Set Diameter (in.)	1/2"

PRODUCT WARRANTY

5 Year Limited Warranty*

OPTIONAL ACCESORIES



NOTE – Due to Lennox’ ongoing commitment to quality, Specifications, Ratings, and Dimensions are subject to change without notice and without incurring liability. Improper installation, adjustment, alteration, service or maintenance can cause property damage or personal injury. Installation and service must be performed by a qualified installer and servicing agency



**SUBMITTAL DATA – WALL-MOUNTED
LM018CO-130P433-E - LM018CI-130P433-E
SINGLE ZONE MINI-SPLIT COOLING ONLY**

OUTDOOR SPECIFICATIONS

PERFORMANCE	
Cooling Capacity (Btu/h)	17,998
EER(W/W)	2.85
SEER(BTUH/W)	12.8
Heating Capacity (Btu/h)	/
COP	/

Outdoor Fan Total Air Volume (CFM)	1165
Ambient Temperature Operating Range	
Cooling	64 °F(18°C) - 109 °F(43°C)
Heating	/

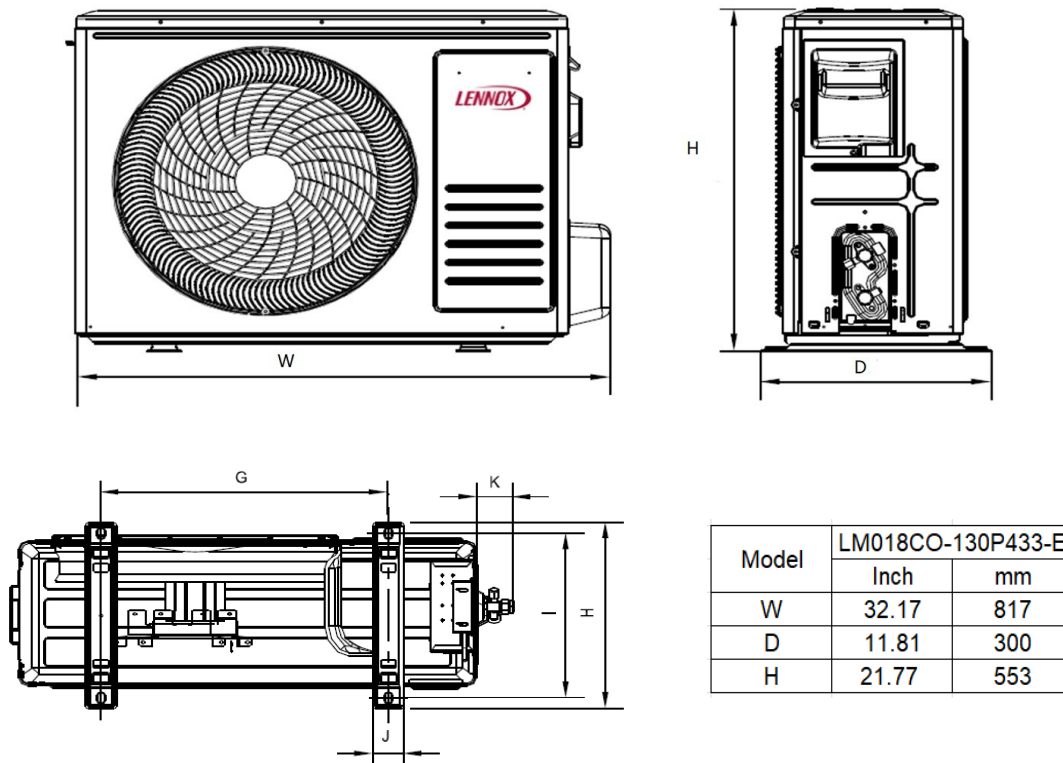
ELECTRICAL DATA	
Power Supply (V/Hz/ϕ)	208-230/60/1
Minimum Circuit Ampacity (A)	/
Maximum Overcurrent Protection (A)	/
Outdoor Fan Motor RLA (A)	0.4
Compressor RLA (A)	6.35
No. of Compressors	1

GENERAL DATA	
Connection Ratio (%)	100%
Max. # of Indoor Units	1
Sound Data (dBA) - Cooling/Heating	58
Refrigerant type	R-410A
Factory refrigerant charge	1.92 lbs. 30.69 oz.

DIMENSIONS		
Unit Dimensions (in)	Height	22
	Width	32
	Depth	12
Shipping Weight (lb)		82
Net Weight (lb)		71

NOTES
1. Cooling and Heating Capacity data is rated at the following conditions:
Cooling: 80 °FDB / 67 °FWB Indoor, 95 °FDB/75 °FWB Outdoor
Heating: 68 °FDB / 59 °FWB Indoor, 44.6 °FDB/ 42.8 °FWB Outdoor

OUTDOOR DIMENSIONAL DRAWINGS - INCHES (MM)



NOTE – Due to Lennox’ ongoing commitment to quality, Specifications, Ratings, and Dimensions are subject to change without notice and without incurring liability. Improper installation, adjustment, alteration, service or maintenance can cause property damage or personal injury. Installation and service must be performed by a qualified installer and servicing agency



**SUBMITTAL DATA – WALL-MOUNTED
LM018CO-130P433-E - LM018CI-130P433-E
SINGLE ZONE MINI-SPLIT COOLING ONLY**

INDOOR SPECIFICATIONS

PERFORMANCE

Airflow (CFM)	Turbo	/
	High	500
	Medium	458
	Low	375
External Static Pressure (in. w.g.)		-
Sound Pressure (dBA)	Turbo	/
	High	44
	Medium	40
	Low	36

ELECTRICAL DATA

Power Supply (V/Hz/ϕ)	208-230/60/1
Rated load amps (RLA)	0.28
Power Output (W)	23

DIMENSIONS

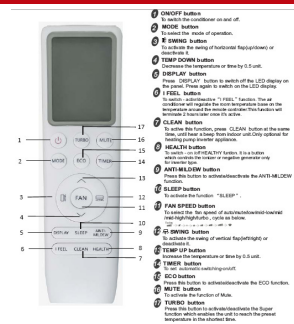
Unit Dimensions (in)	Height	8
	Width	36
	Depth	12
Unit Net/Shipping Weight (lb)		22/29

WIRELESS REMOTE CONTROLLER SPECIFICATIONS

23X58

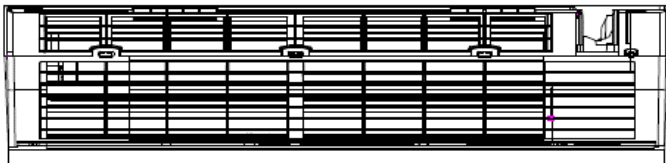
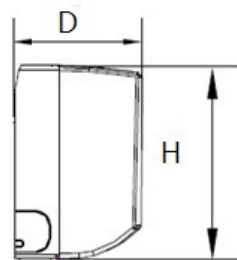
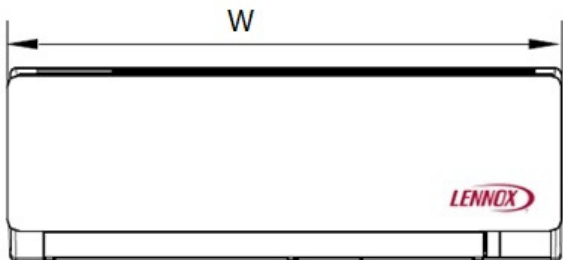
Power Supply	2 AAA Batteries (Included)
Setpoint Range	61°F(16°C) - 88°F(31°C)
Effective Receiving Range	20 ft.(6m)

DISPLAY



- 1. ON/OFF button: To select the controller on and off.
- 2. MODE button: To select the mode of operation.
- 3. FAN SPEED button: To adjust the setting of fan speed (Auto/High/Mid/Low).
- 4. TEMP DOWN button: To decrease the temperature or fan speed by 0.5 unit.
- 5. TEMP UP button: To increase the temperature or fan speed by 0.5 unit.
- 6. FAN OFF button: Press the FAN OFF button to switch off the LCD display on the remote. Press again to switch on the LCD display.
- 7. FRESH button: To activate the fresh air function. Press the FRESH button to activate the fresh air function. Press the FRESH button again to deactivate the fresh air function.
- 8. CLEAN button: To activate the clean air function. Press the CLEAN button to activate the clean air function. Press the CLEAN button again to deactivate the clean air function.
- 9. HEALTH button: To activate the health function. Press the HEALTH button to activate the health function. Press the HEALTH button again to deactivate the health function.
- 10. SLEEP button: To activate the sleep function. Press the SLEEP button to activate the sleep function. Press the SLEEP button again to deactivate the sleep function.
- 11. FAN SPEED button: To adjust the setting of fan speed (Auto/High/Mid/Low).
- 12. MODE button: To select the mode of operation.
- 13. FAN OFF button: To switch off the LCD display on the remote. Press again to switch on the LCD display.
- 14. TEMP DOWN button: To decrease the temperature or fan speed by 0.5 unit.
- 15. TEMP UP button: To increase the temperature or fan speed by 0.5 unit.
- 16. FRESH button: To activate the fresh air function. Press the FRESH button to activate the fresh air function. Press the FRESH button again to deactivate the fresh air function.
- 17. CLEAN button: To activate the clean air function. Press the CLEAN button to activate the clean air function. Press the CLEAN button again to deactivate the clean air function.

INDOOR DIMENSIONAL DRAWINGS - INCHES (MM)



Model	LM018CI-130P433-E	
	Inch	mm
W	35.83	910
D	11.57	294
H	8.11	206

NOTE – Due to Lennox’ ongoing commitment to quality, Specifications, Ratings, and Dimensions are subject to change without notice and without incurring liability. Improper installation, adjustment, alteration, service or maintenance can cause property damage or personal injury. Installation and service must be performed by a qualified installer and servicing agency